

FLOODLIGHTS

KERIS

Design: ECLATEC





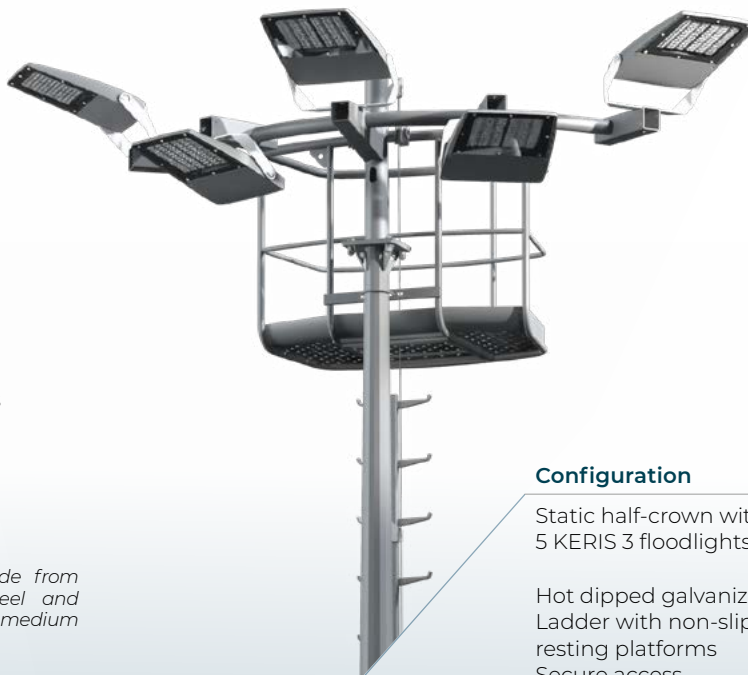
Configuration

2 KERIS 2 floodlights
Straight bracket

Also available in:

- Arm
- Batten

Our supports are made from hot-dip galvanised steel and can be adapted to all medium height poles.



Configuration

Static half-crown with catwalk
5 KERIS 3 floodlights

Hot dipped galvanized catwalk
Ladder with non-slip rungs and resting platforms
Secure access
Lifeline

Approved assembly compliant with NF EN 353-1 and NF EN 363 standard requirements



Configuration

Single mobile crown
6 KERIS 6 floodlights

Rail-guided mobile batten
Static motor-winch at the foot of the pole
Control using a remote control box
Fall-prevention safety
Permanent electric connection



Configuration

2 KERIS 5 floodlights
Straight bracket

KERIS 2&3

Design: ECLATEC



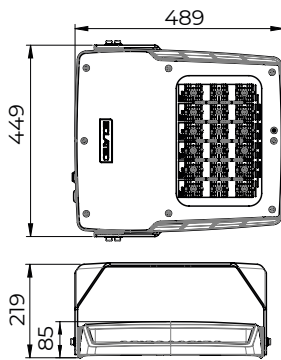
KERIS 2

DESCRIPTION

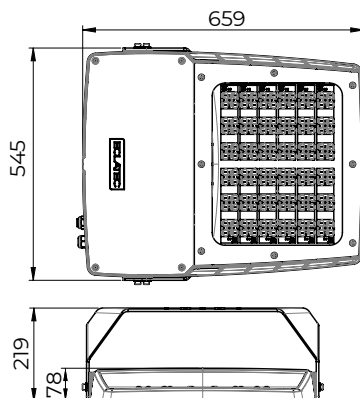
Product name	KERIS 2	KERIS 3
Housing	Injection die-cast aluminium body	
Bowl	Thermally tempered and screen printed flat glass	
Finish	Polyester powder coating, any colour available	
Impact protection	IK 09	
Ingress Protection	IP66 Extruded silicone gasket Cable gland with anchoring device Breathing system with activated carbon filter	
Dimensions (L x l x h)	489 x 449 x 85 mm	659 x 545 x 78 mm
Weight	11kg	16kg
Windage area	0.04m ²	0.07m ²
Materials used	Aluminium 37%, Steel 29% Glass 20% Other 14%	Aluminium 47% Steel 25% Glass 14% Other 14%
Electrical class	Class I or II	

DIMENSIONS

KERIS 2



KERIS 3





KERIS 3

SOURCES & PHOTOMETRIC DISTRIBUTIONS

	KERIS 2	KERIS 3
Sources	BLS strips	
Colour temperature	Amber*, 2200 K, 2400 K, 2700 K, 3000 K, 4000 K	
Optical Distribution	QUADRALENS	
	PFA, EPG, EPD, ETS, ECa, ECb, PSa, PAa, ERE, ERS, ERL, LRS, LRL	
Power supply current	Adjustable up to 700 mA ⁽¹⁾	

*Approx. 1800K, only on BLS12 as standard. ⁽¹⁾ >700mA possible on request
 E/L/P: Lighting/Luminance/Projection, R/C/T/F/P: Road/Circular/Pavement/Beam/Zebra crossing,
 E/S/L/A/D/G: Narrow/Standard/Wide/Asymmetrical/Right/Left



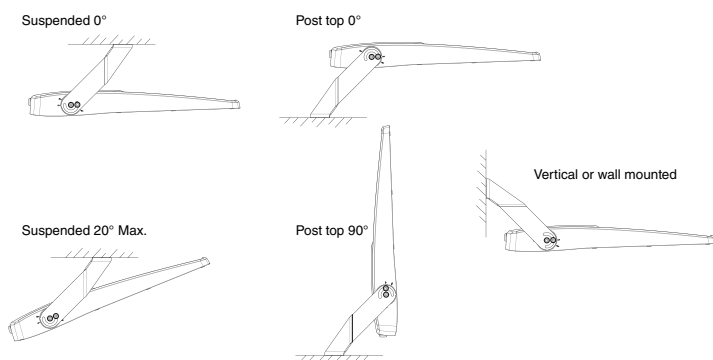
BLS strips

MECHANICAL INTERFACES



U bracket, painted as an option: post top or suspended fastening
 Projector pre-tilted at 2°

Tilts:



OPTIONS

	KERIS 2	KERIS 3
At the lighting point		
Adjustable current (driver or bottom of the pole)	√	√
Dimming (driver, bottom of the pole or Bluetooth)	√	√
Built-in detection	√	-
Remote detection	√	√
DALI protocol	√	√
Smart-Ready® configuration (ZD4i)	√*	√
In a local network		
Communicating detection with pilot wire	√	√
Wireless communication sensing	√	√
Remote management		
WIZARD CMS system	√	√

* Double Smart-ready disponible
 Details of the functions available on pages 272 to 279 and in the LED synopsis located on under the flap on the front cover

MAINTENANCE

Maintenance of Keris 2 control gear and sources	Direct access to the power supply and BLS strips after removing the bowl held by 8 screws (safety cord) Removable tray
Maintenance of Keris 3 control gear	Direct access to the power supplies after removing the lower cover held by four captive screws. Removable tray
Maintenance of Keris 3 sources	Direct access to BLS strips after removing the bowl held by 8 screws.

KERIS 5&6

Design: ECLATEC



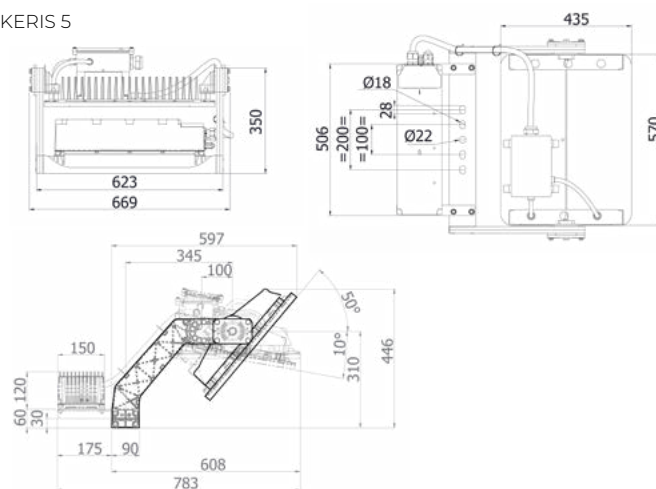
KERIS 5

DESCRIPTION

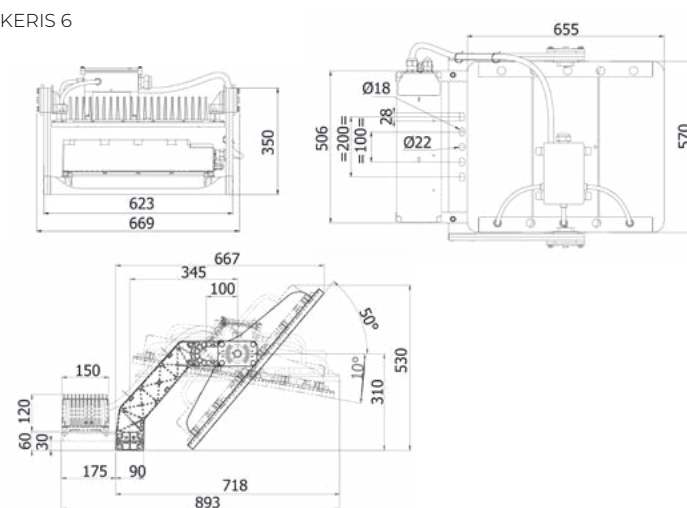
Product name	KERIS 5		KERIS 6	
Housing	Bracket, module interfaces, radiators and electric connexion box in die cast aluminium			
Bowl	In thermally tempered non-reflective glass			
Finish	LED modules in standard grey 2150. Fixation bracket and module interface: aluminium			
Impact protection	IK 08			
Ingress Protection	IP66 Extruded silicone gasket Cable gland with anchoring device Breathing system with activated membrane filter			
Dimensions (L x l x h)	With power supply Without power supply		With power supply Without power supply	
Weight	With power supply Without power supply		With power supply Without power supply	
Windage area	With power supply	Without power supply	With power supply	Without power supply
0°	0.19m ²	0.11m ²	0.19m ²	0.11m ²
10°	0.24m ²	0.16m ²	0.26m ²	0.19m ²
20°	0.25m ²	0.19m ²	0.29m ²	0.25m ²
30°	0.28m ²	0.23m ²	0.32m ²	0.31m ²
40°	0.30m ²	0.27m ²	0.37m ²	0.37m ²
50°	0.32m ²	0.31m ²	0.41m ²	0.41m ²
60°	0.34m ²	0.33m ²	0.45m ²	0.45m ²
70°	0.36m ²	0.34m ²	0.48m ²	0.48m ²
Materials used	Aluminium 80% Glass 8% Steel 9%, Plastic 2,7% Other 0,3%		Aluminium 82% Glass 9% Steel 5% Plastic 3% Other 1%	
Electrical class	Class I			

DIMENSIONS

KERIS 5



KERIS 6



MECHANICAL INTERFACES



U-bracket: free tilting in any configuration (top or suspended) from -10° to + 70°, 5° incrementation



Settings: Red dot telescop. Fix position at 90° from modules. On floodlight side.

MAINTENANCE

Lighting equipment and LED sources

Removable LED and power supply modules



KERIS 6

SOURCES & PHOTOMETRIC DISTRIBUTIONS

	KERIS 5	KERIS 6
Sources	KERIS 5 and 6	
Colour temperature	3000 K, 4000 K, 5700 K (others upon request)	
Optical Distribution	Specifics ASY30-N, ASY30-M, ASY30-W, ASY40-M, PFI, PFM	

E/L/P: Lighting/Luminance/Projection, R/C/T/F/P: Road/Circular/Pavement/Beam/Zebra crossing, E/S/U/A/D/G: Narrow/Standard/Wide/Asymmetrical/Right/Left



KERIS 5 and 6

POWER SUPPLY

	KERIS 5	KERIS 6
Adjustable power	Up to 1074 W	Up to 1628 W
Protocoles	DALI or DMX	
Power supply voltage	230/400 V	
Protection	10 kV, in differential and common mode	
Leak tightness rating	IP 66	
RAL	charcoal grey 7016	
Dimensions (L x l x h)	500 mm x 150 mm x 120 mm	
Weight	6,5kg	
Location	Mounted on the U-bracket floodlight Remoted up to 200 m in an electrical cabinet	
Lifetime	Nominal service life, at maximum load and 45 ° C ambient: 70,000h	
Compliance	Electromagnetic compatibility EN 55015, EN 55032, EN 61547, EN 61000-(3-2;3-3; 4-2;4-3;4-4;4-5;4-6;4-11)	



LIGHTING MANAGEMENT

	ECLATEC control box
Description	Full or half stadium lighting 4 programs to adjust power including 2 presets of 100% and 0% Forced mode or timing mode
Configuration	Configurations mode protect with a key
Protocol	DALI
Max distance / drivers	300 m, No limit in floodlights number
Dimensions (L x l x h)	430 x 330 x 200 mm
Interfaces	4 x fixing legs
Tension nominale	230 V
Control	Wireless control system or smartlighting upon request



STANDARDS / MARKING / CERTIFICATIONS

Compliance	CE, mandatory marking: - Directive 2014/35/EU, Low voltage Directive - Directive 2014/130/EU Electromagnetic Compatibility - Directive 2011/65/EU Restriction of Hazardous substances (RoHS) - Directive 2009/125/EC Ecodesign requirements
NF EN 60598-1	Luminaires
NF EN 60598-2-5	Floodlights
FFF	Pitch and sports facility lighting regulations
REACH	Products conformity regulatory management of chemicals
WEEE	(Waste Electrical and Electronic Equipment) Manufacturer involvement

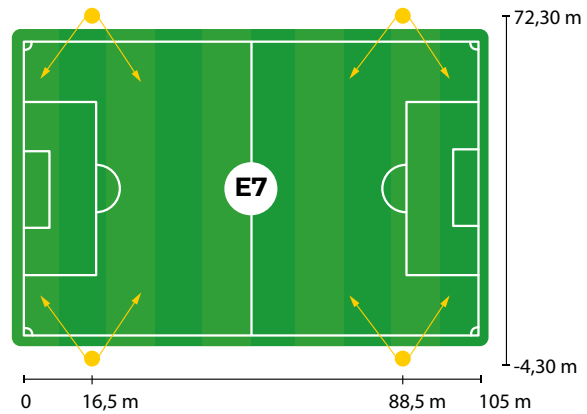
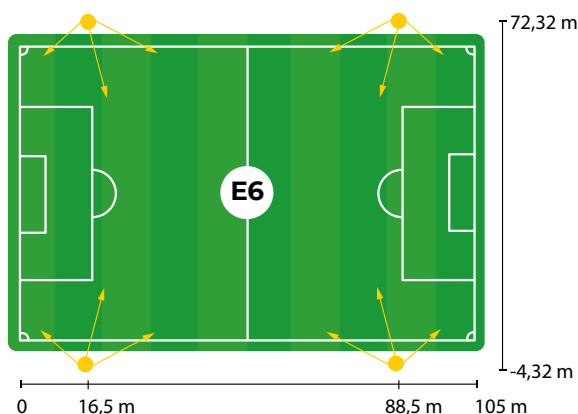
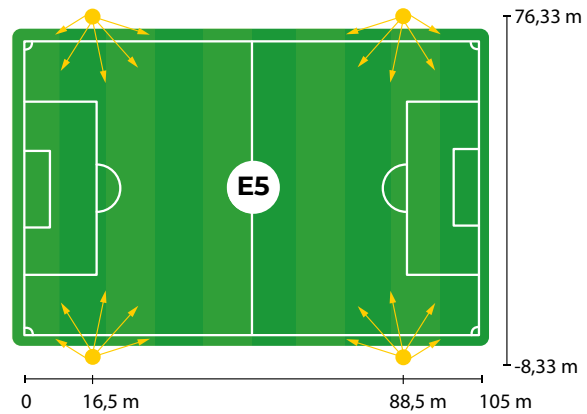
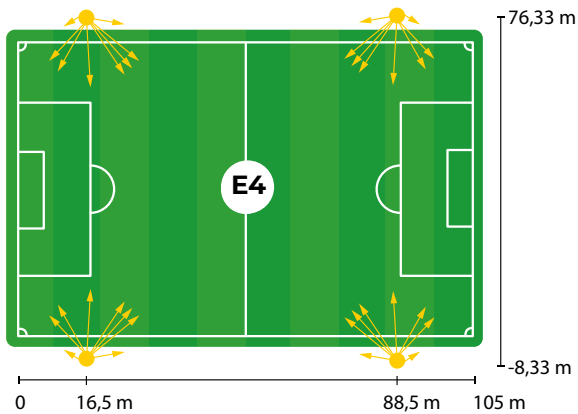
KERIS 5&6

Design: ECLATEC

FFF CONFIGURATIONS

Application examples - In accordance with the FFF lighting regulations for sports grounds and facilities of 2021

	Football pitch E4 105 x 68 m, 400 lux	Football pitch E5 105 x 68 m, 250 lux	Football pitch E6 105 x 68 m, 150 lux	Football pitch E7 105 x 68 m, 75 lux
Number of floodlights	32 KERIS 6	20 KERIS 6	12 KERIS 6	8 KERIS 6
Colour temperature (K)	5700 K	5700 K	5700 K	5700 K
Power per floodlight	1380 W	1380 W	1461 W	1380 W
LED flow per floodlight	189160 lm	189160lm	197090 lm	189160 lm
Number of poles	4	4	4	4
Floodlights per pole	8	5	3	2
Average installation height	20 m	20 m	18 m	18 m
Pole distance from the goal line	16.5 m	16.5 m	16.5 m	16.5 m
Pole distance from the sideline	8 m	8 m	4 m	4 m
Average lighting	456 lux	278 lux	169 lux	104 lux
Uniformity				
Min lighting / Average lighting:	0.79	0.76	0.82	0.68
Min lighting / Maximum lighting:	0.53	0.53	0.70	0.43

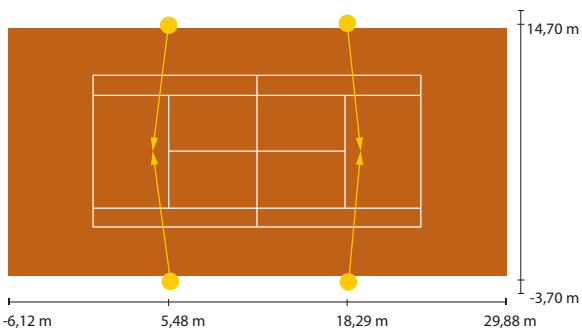


FFT CONFIGURATIONS

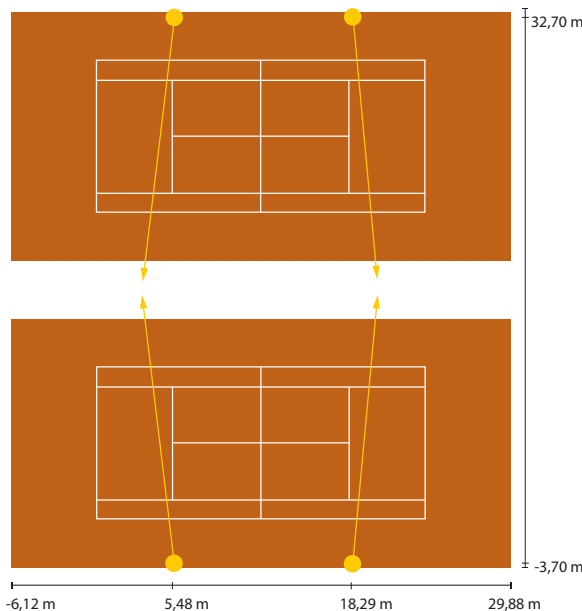
Application examples - In accordance with the FFT lighting regulations for sports grounds and facilities of 2021

	Simple 4 masts - h = 9 m	Simple 2 masts - h = 9 m	Simple 2 masts - h = 10 m	Simple 2 masts - h = 11 m	Paired 4 masts - h = 10 m	Paired 4 masts - h = 11 m
Number of floodlights	4 KERIS 5	2 KERIS 5	2 KERIS 5	2 KERIS 5	4 KERIS 5	4 KERIS 5
Colour temperature (K)	5700 K	5700 K	5700 K	5700 K	5700 K	5700 K
Power per floodlight	327 W	833 W	933 W	933 W	933 W	933 W
LED flow per floodlight	51371 lm	111726 lm	121857 lm	121857 lm	121857 lm	121857 lm
Number of poles	4	2	2	2	4	4
Floodlights per pole	1	1	1	1	1	1
Average installation height	9 m	9 m	10 m	11 m	10 m	11 m
Average lighting	324 lux	317 lux	328 lux	323 lux	331 lux	324 lux
Uniformity Min lighting / Average lighting:	0,83	0,77	0,77	0,74	0,78	0,75

Simple - 4 masts - h = 9 m



Paired - 4 masts - h = 10 m / 11 m



Simple - 2 masts - h = 9 m / 10 m / 11 m

