

LUMINAIRES

# LINK

Design: ECLATEC



**Configuration**

Shallow clear  
«Art Déco» Arm  
Column Ø 76 mm  
Column height: 4 m

**Configuration**

Shallow clear  
Column Ø 76 mm  
Column height: 4 m

**Configuration**

Shallow clear  
Sublimated column Ø 76 mm  
Column height: 4 m

**Configuration**

Shallow clear  
Stanza wall bracket  
Outreach 700 mm

# LINK

Design: ECLATEC

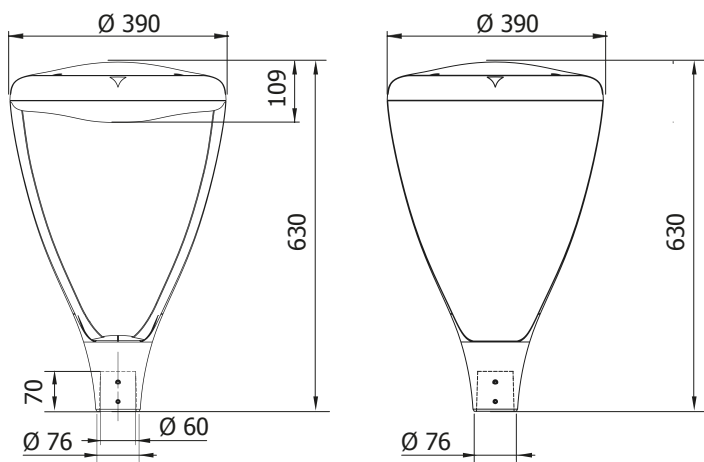


**LINK (PCC)**  
Shallow clear

## DESCRIPTION

<b>Product name</b>	LINK
<b>Segmentation</b>	Models available in 3 levels: - 1E: Unique version for standard use - 2E A: Fixed settings for night dimming - 2EB: Fixed current setting at 700 mA, without options - 3E: Most efficient and customizable version
<b>Housing</b>	Base, cover and arm in injected die-cast aluminium
<b>Bowl</b>	4 polycarbonate bowls: deep clear, deep structured, shallow clear and shallow opaline
<b>Finish</b>	1E: 7035 RAL 2E, 3E: Polyester powder coating, any colour available
<b>Impact protection</b>	IK 10 - 50 joules
<b>Ingress Protection</b>	IP66 Extruded silicone gasket Breathing system with activated carbon filter
<b>Dimensions (dia x h)</b>	390 x 630 mm
<b>Weight</b>	8,5kg
<b>Windage area</b>	0.13m <sup>2</sup>
<b>Materials used</b>	Plastic 27% Aluminium 64% Steel 6% Other 3%
<b>Electrical class</b>	Class I or II

## DIMENSIONS



LINK short bowl

LINK deep bowl





**LINK (PCO)**  
Shallow opaline



**LINK (PHC)**  
Deep clear



**LINK (PHS)**  
Bowl haute structurée

## SOURCES & PHOTOMETRIC DISTRIBUTIONS

### LINK

LINK	
<b>Sources</b>	LINK (ORALED type)   BLS strips
<b>Colour temperature</b>	3000 K or 4000 K   1E: 3000 K, 4000 K 2E, 3E: Amber*, 2200 K, 2400 K, 2700 K, 3000K, 4000 K
<b>Optical Distribution</b>	ORALENS   QUADRALENS 1E: ERS, ERL 2E, 3E: ECL, ERS, ERL, LRM   1E: ERS, ERL 2E, 3E: ERS, ERL, ECa, ERE, ETS, LRS, LRL
<b>Backlight shield option</b>	Medium or strong cut-off
<b>Power supply current</b>	1E: 700 mA 2E A / B: A: ANF <sup>(2)</sup> / B: 700 mA 3E: Up to 700 mA <sup>(1)</sup>

\*Approx. 1800K, only on BLS12 as standard (1) I>700mA possible on request (2) ANF: Unique program for driver, Fixed Night Dimming: 23 h – 5 h at 350 mA and 700 mA for the remaining time  
E/L/P: Lighting/Luminance/Projection, R/C/T/F/P: Road/Circular/Pavement/Beam/Zebra crossing, E/S/L/A/D/G: Narrow/Standard/Wide/Asymmetrical/Right/Left



LINK (ORALED type)



BLS strips

## OPTIONS

3E version (except Opaline bowl): LINK

### At the lighting point

Adjustable current (driver or bottom of the pole)	✓
Dimming (driver, bottom of the pole or Bluetooth)	✓
Built-in detection	-
Remote detection	✓
DALI protocol	✓
Smart-Ready® configuration (ZD4i)	✓

### In a local network

Communicating detection with pilot wire	✓
Wireless communication sensing	✓

### Remote management

WIZARD CMS system	✓
-------------------	---

Details of the functions available on pages 272 to 279 and in the LED synopsis located on under the flap on the front cover

## MECHANICAL INTERFACES



Top fastening for Ø 60/62 mm pole, fixed with six screws



For standard Ø 76 mm pole, C end available as an option (cf p 280)

## DECORATIVE ARMS OPTION

2E, 3E: 2 decorative arms compatible with all bowl options



«Art Déco» Arm



«Millésime» Arm

## MAINTENANCE

**Electric equipment maintenance** To access the geartray, remove the captive screws and remove the cover

**Sources maintenance** To access the LED array, remove the 2 retaining screws

